



## MOUNTING INSTRUCTIONS

If a padlock is desired, check with your local postmaster for regulations concerning the use of one. To use a padlock, drill a hole in the front left flange of the box, just in front of the door when it is closed. (The hole has been started for you.)

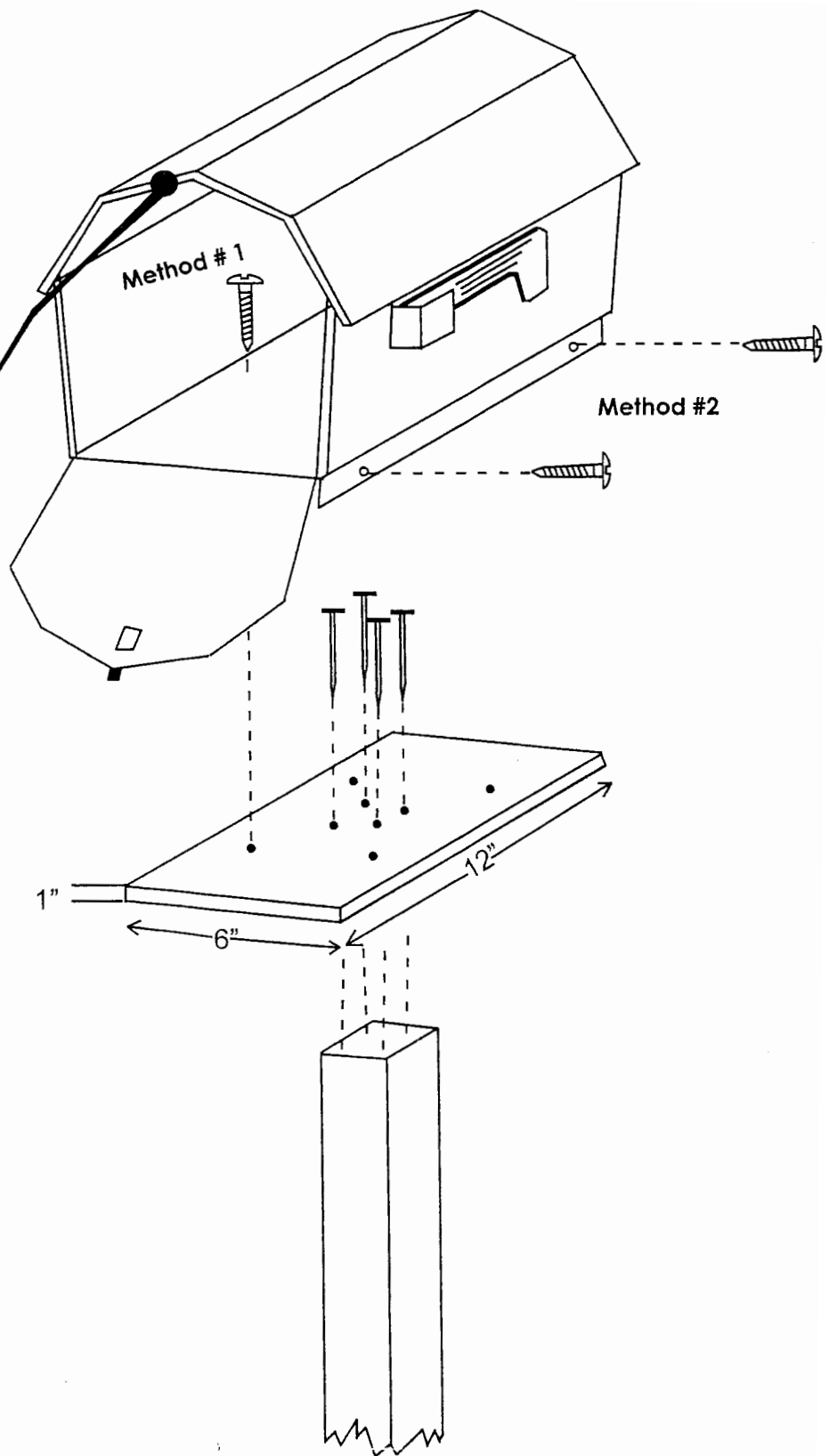
**MOUNTING HARDWARE IS NOT INCLUDED WITH MAILBOX. AVAILABLE AT ANY HARDWARE STORE OR HOME CENTER.**

### MOUNTING METHOD #1

For convenience of mounting, 4 holes are provided in the bottom of the mailbox. To mount: fasten a board of approximately 1" x 6" x 12" atop your post. Center mailbox on the board and thru the open door mark the location of the holes. Remove the box and pre-drill the screw holes with 1/8" drill bit, replace box and fasten with four #10 x 1" panhead screws.

### MOUNTING METHOD #2

Drill four 3/16" diameter holes, 2 on each side, thru the bottom skirt of the mailbox. 2- 1/2" min. from front and back of mailbox. The size of the mounting board for a Ranch-type box must be 1" x 7-1/2" x 16" and for a Barn type box 1" x 8-13/16" x 16". Pre-drill with a 1/8" drill bit and fasten mailbox with #10 x 1" screws.



**Postal Installation Requirements:** Your mailbox must be located on the right-hand side of the road in the direction of travel of the rural carrier and the mailbox must be accessible for delivery and collection of mail by the carrier without leaving the vehicle. Numbers and/or letters must appear on the mailbox so that they are visible from a distance; and they must not be less than one inch high. Where the use of street names and house numbers has been authorized only the house number need be shown on the box. Using a nameplate or placing your name on the mailbox is optional. The post or support for the mailbox should be neat design and must not be designed to represent effigies or caricatures that would ridicule or disparage any person. Advertising on boxes or supports is prohibited. Please consult your postmaster for information as to the height the mailbox should be placed.